



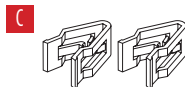
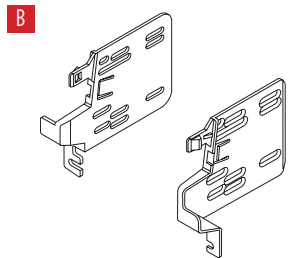
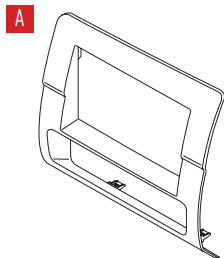
## Ford F-Series Trucks 1992-1996 Bronco 1992-1996 F250/350 1997

### KIT FEATURES

- ISO DDIN radio provision

### KIT COMPONENTS

- A) Radio trim panel • B) Radio brackets • C (2) Panel clips



### TABLE OF CONTENTS

Dash Disassembly .....	2
Kit Preparation .....	3
Kit Assembly .....	3

### WIRING & ANTENNA CONNECTIONS

Wiring Harness: 70-1770 • 70-5510\*  
(sold separately)

Antenna Adapter: Not required

\* Amplified models

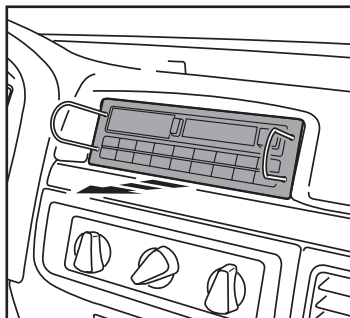
### TOOLS REQUIRED

- Ford radio removal tools\* • Phillips screwdriver  
• Cutting tool  
\* Metra part number 86-5618

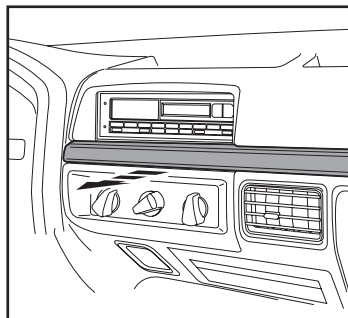
**Attention!** Let the vehicle sit with the key out of the ignition for a few minutes before removing the factory radio. When testing the aftermarket equipment, ensure that all factory equipment is connected before cycling the key to ignition.

## DASH DISASSEMBLY

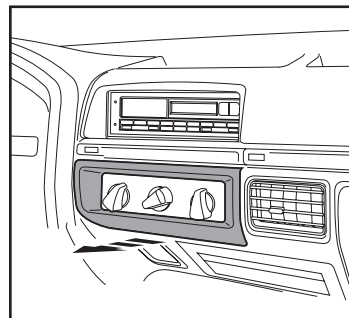
1. Using Metra's 86-5618 radio removal tools (sold separately), release the radio from the dash. Slide the radio out, then unplug and remove the radio. (Figure A)
2. Unclip and remove the trim panel between the radio and climate controls. (Figure B)
3. Unclip and remove the climate control trim panel. (Figure C)



(Figure A)



(Figure B)



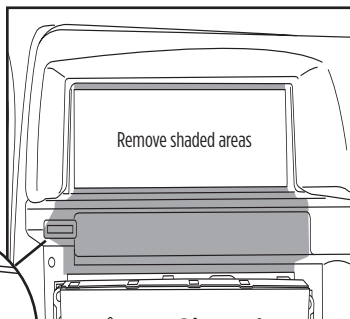
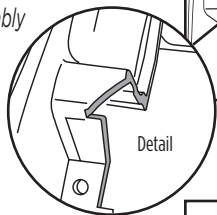
(Figure C)

*Continue to Kit Preparation*

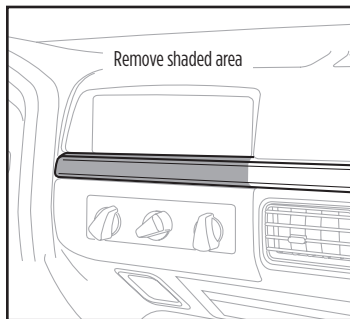
## KIT PREPARATION

1. Cut the sub-dash and factory trim panel to allow room for the radio assembly.  
**Note:** See detail for proper cut in area indicated. (Figures A, B)
2. Cut and remove the radio support brace in the top of the sub-dash.

Continue to Kit Assembly



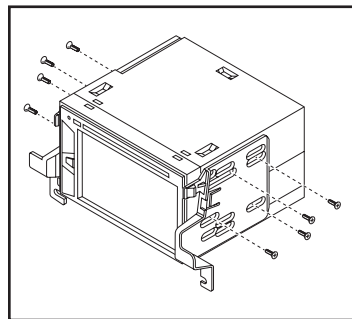
(Figure A)



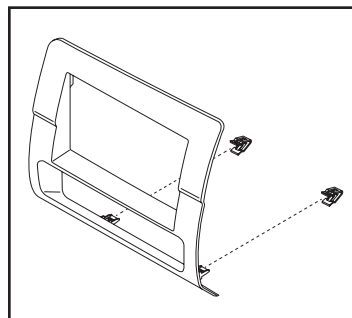
(Figure B)

## KIT ASSEMBLY

1. Secure the *radio brackets* to the radio using the screws supplied with the radio. (Figure A)
2. Locate the factory wiring harness and antenna connector in the dash and complete all necessary connections to the radio. Metra recommends using the proper mating adapter from Metra. Test the radio for proper operation.
3. Remove the upper (2) 9/32" screws securing the climate controls. Secure the radio assembly to the dash using the climate control screws.
4. Attach the (2) *clips* provided onto the 95-5701 *radio trim panel*. Clip the panel onto the dash and radio brackets to complete the installation. (Figure B)



(Figure A)



(Figure B)



**95-5701**  
INSTALLATION INSTRUCTIONS



**IMPORTANT**

*If you are having difficulties with the installation of this product, please call our Tech Support line at 1-800-253-TECH. Before doing so, look over the instructions a second time, and make sure the installation was performed exactly as the instructions are stated. Please have the vehicle apart and ready to perform troubleshooting steps before calling.*



**KNOWLEDGE IS POWER**

Enhance your installation and fabrication skills by enrolling in the most recognized and respected mobile electronics school in our industry. Log onto [www.installerinstitute.com](http://www.installerinstitute.com) or call 800-354-6782 for more information and take steps toward a better tomorrow.



**Metra recommends MECP certified technicians**