

# Beat-Sonic<sup>®</sup> BCUS3 EP USER'S GUIDE

NO:000002

Thank you for purchasing the Beat-Sonic BCUS3 Back Camera Adapter Cable. Please read this manual carefully to ensure a successful installation.

## Application/Product Description

- 1.T-harness plug and play back camera adapter to provide reverse camera video input to OEM screen.
- 2.Automatic switching to reverse camera when vehicle is put into reverse gear.
- 3.High grade OEM connectors ensure trouble free operation.
- 4.High grade coaxial video input cable for superior image quality.
5. Made in Japan.

## Precautions

- For use with 12 volt cameras only.
- Some models may require connection of reverse trigger wire.
- Always use caution when reversing a vehicle and be aware the camera may not display all angles.

## Contents

-BCUS3 Adapter, Purple Reverse Trigger Wire, Posi Tap (x2),User's Guide.

## Compatibility

2013-2014 Toyota Avalon	2012-2013 Toyota Tacoma
2012-2013 Toyota Camry	2013-2014 Toyota Venza
2012-2013 Toyota Corolla	2013 Toyota 4Runner
2013 Toyota Highlander without Navigation	2013-2014 Scion FR-S with BeSpoke Head Unit or Touchscreen OEM Headunit
2013 Toyota Highlander Hybrid without Navigation	2012-2014 Scion iQ with BeSpoke Head Unit or Touchscreen OEM Headunit
2012-2014 Toyota Prius	2012-2014 Scion xB with BeSpoke Head Unit or Touchscreen OEM Headunit
2012-2014 Toyota Prius v	2012-2014 Scion xD with BeSpoke Head Unit or Touchscreen OEM Headunit
2012-2014 Toyota Prius c	2012-2014 Scion tC with BeSpoke Head Unit or Touchscreen OEM Headunit
2013 Toyota RAV4 (non-EV)	2013-2014 Subaru BRZ
2013-2014 Toyota RAV4 EV	2012-2013 Subaru Impreza with OEM Fujitsu Ten Navigation
2013 Toyota Sequoia	2012-2013 Subaru WRX (STI) with OEM Fujitsu Ten Navigation
	2012-2014 Subaru Forester with OEM Fujitsu Ten Navigation

## When Performing Installation Procedures

- Take due care not to disturb vital parts related to the operation of the vehicle.
- Perform installation on a flat level surface.
- Take due care so as to not damage wires, interior parts or the body of the vehicle during installation.

**Caution** -Any Damages resulting to the aftermarket systems or damages to the vehicle resulting from improper or careless installations are not covered by warranty, nor are we responsible for injuries or damages resulting from installation process. Please observe caution while installing.

### Beat-Sonic Co.,Ltd.

472-5, Koushin, Fujieda, Nisshin,  
Aichi, JAPAN.  
TEL: +81-561-73-9000 FAX: +81-561-74-5554  
www.beatsonic.co.jp  
E-mail: enquiries@beatsonic.co.jp

### Beat-Sonic USA Inc.

14778 Beach Blvd. La Mirada, CA 90638  
TEL: 1-714-994-1085 FAX: 1-714-249-4741  
www.beatsonicusa.com  
E-mail: info@beatsonicusa.com

## 3 Reverse Trigger Wire Connection

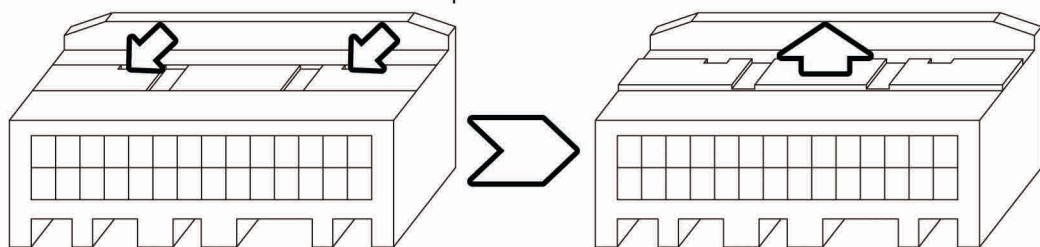
### 3.1 Locate the 28-pin connector behind the head unit.

With wires facing towards the viewer, check pin#2 (2nd from top right) for presence of reverse wire. If slot is vacant, proceed to 3.2. If a wire is already connected, go straight to step 4.

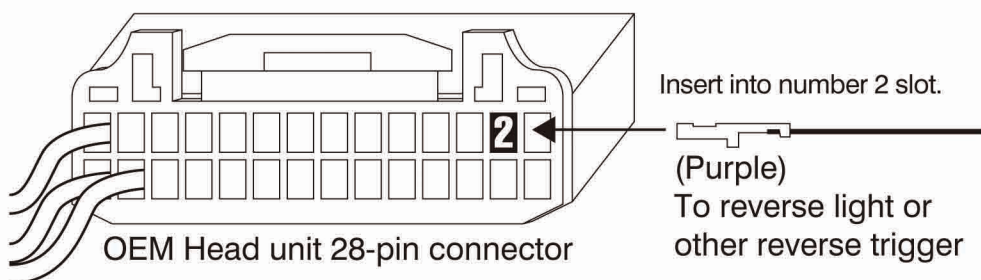
### 3.2 Insert a small flathead to release clips and lift the retainer.

a. Insert a small flathead to release clips.

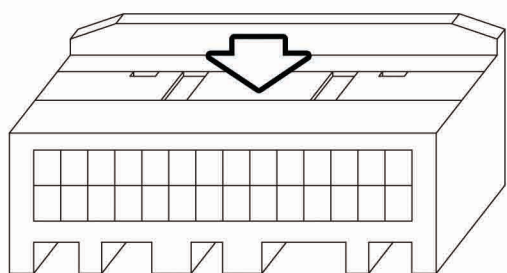
b. Lift the retainer.



### 3.3 Insert purple wire into pin#2 with the metal tab of the terminal facing the retainer. You will hear a click



### 3.4 Close and lock retainer. You will hear a click.



### 3.5 Connect purple wire to reverse light or other reverse trigger that supplies 12 volts when reverse gear is selected.

## ! Precautions before installation

- Remove the negative terminal from the battery.
- Protect the interior of the vehicle by covering the interior work areas with cloth or tape.
- After installation, confirm proper operation of brake lamp, headlight, turn signals, wiper blades and other functions.



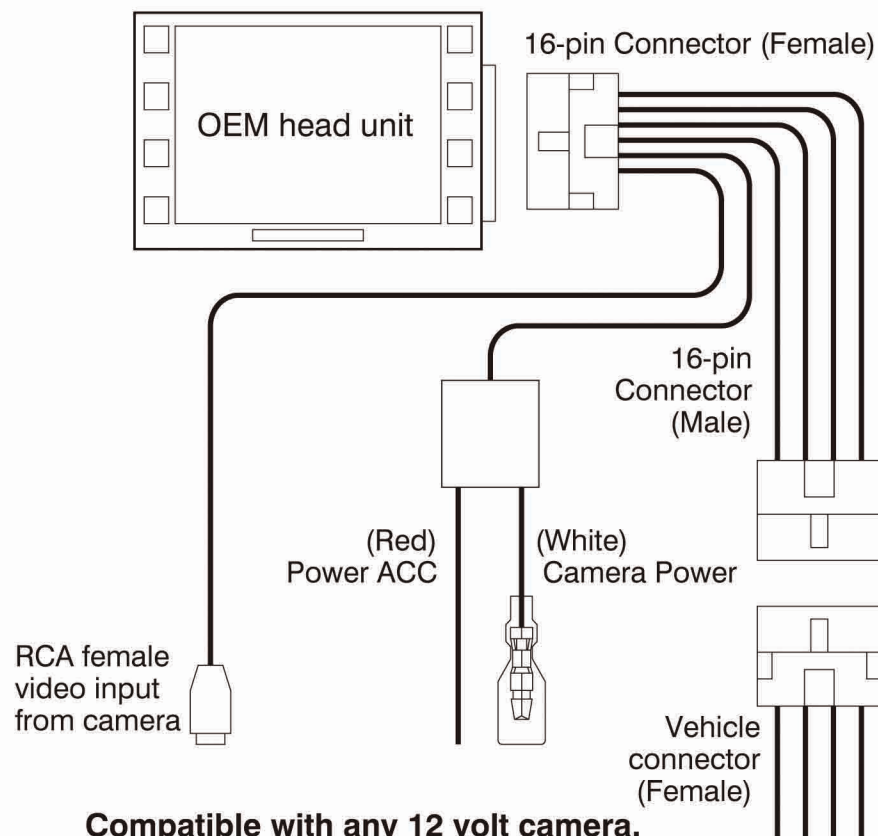
**!** Before installing the backup camera, confirm that the OEM audio is functioning properly without any complications or issues. This kit will not remedy any existing issues.

## 1 OEM Head Unit Removal

Removal of the head unit varies according to the model of vehicle. Refer to the maintenance manual or consult your dealer for instructions and always take due care not to damage any parts.

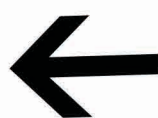
## 2 Adapter Installation

- Remove 16-pin connector from behind OEM head unit and connect to male side of BCUS3. Connect female side of BCUS3 to OEM head unit.
- Inspect the separate 28-pin connector attached to the head unit to check the presence of the reverse trigger wire in pin location number 2 (see fig. 3.3). If no wire is present proceed to step 3. If wire is present go to step 4.



## 4 Verification of Operations and Features

Re-install head unit then re-connect battery negative terminal. Verify all functions of the head unit and vehicle electrical system.



Step#3 is for all Scion models.

For Toyota models, please check if the pin#2 on the 28-pin factory connector is occupied. If the pin#2 is unoccupied, please follow the step#3.