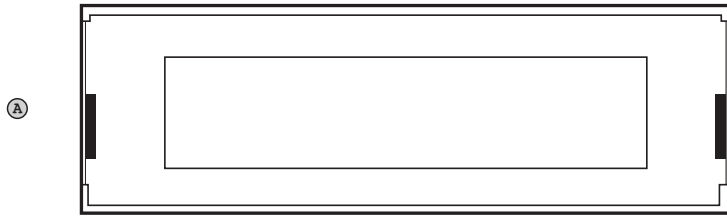


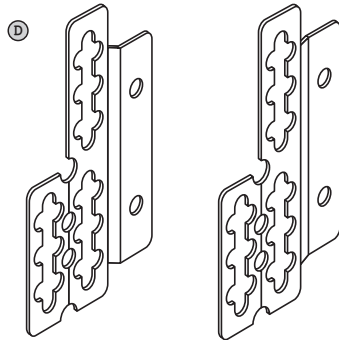
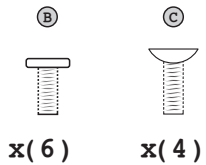


What's in the Box

Redondo Face

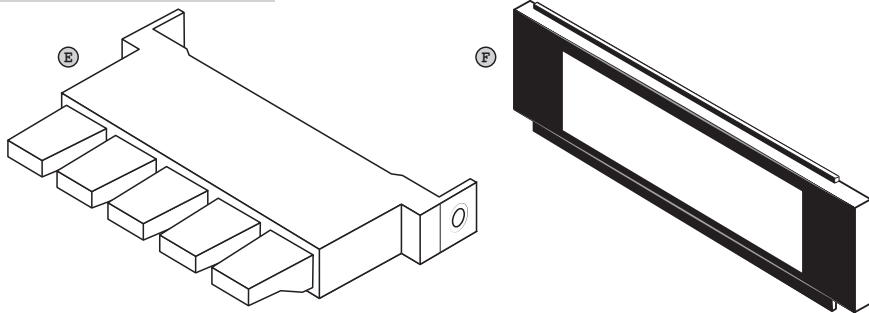


Hardware



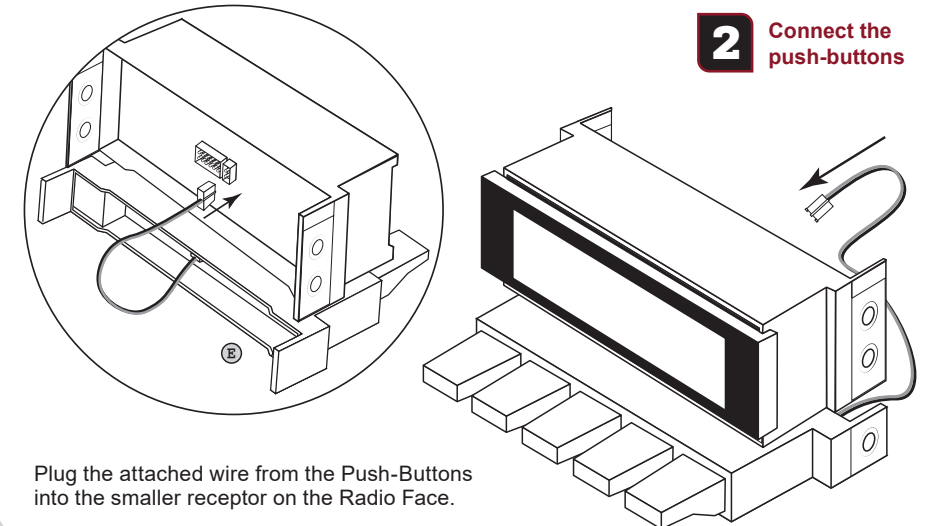
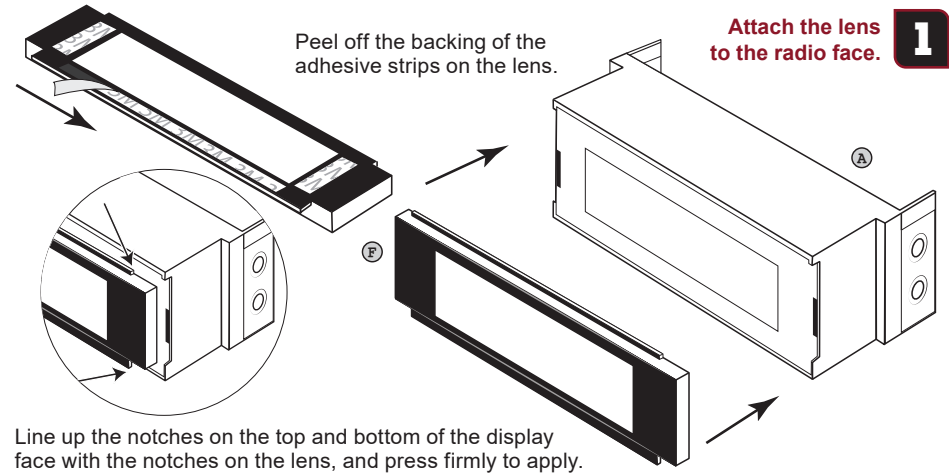
Additional Parts

NOTE: Push-Buttons and Lens are packaged separately.



Installation

START: Begin with the steps below to assemble the Radio Face, then continue to either the Thumb-roller or Control Shaft Quick Start Guide.



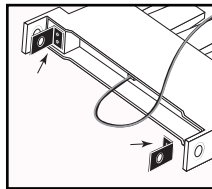
Refer to the user manual included in your motor box or on our website for more comprehensive instructions.

Installation (continued)

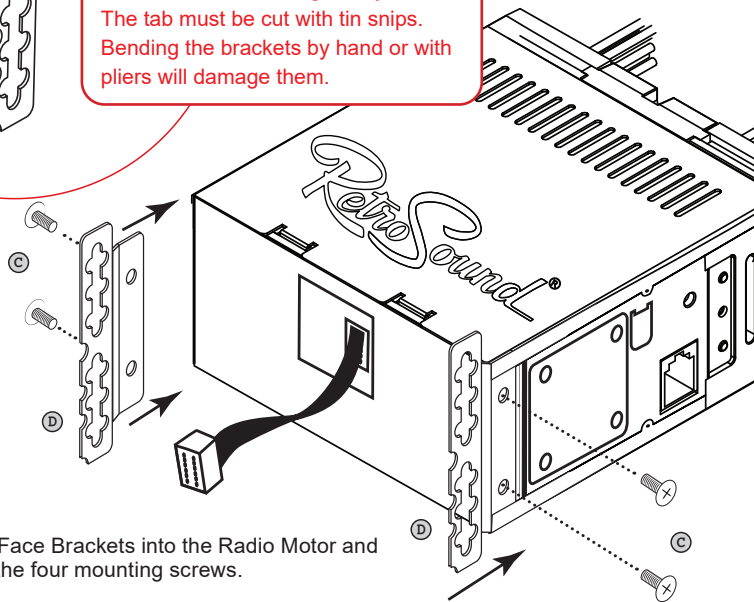
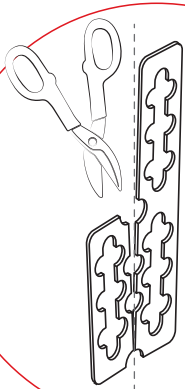
3 Attached Control Face Brackets

The Control Face Brackets(D) have an additional tab left for fitments that need the button assembly to protrude further than the Radio Face and should be removed for most installations. Before removing the additional mounting tab, determine the needed depth for your Push-Button assembly to ensure the additional tab is not required. If the additional tab is not required, use a pair of tin snips to remove it.

For installations that do not require the "Control Face Brackets" the small black mounts will need to be removed from the Push-buttons and Radio Face to allow both to mount directly to the Radio Motor.



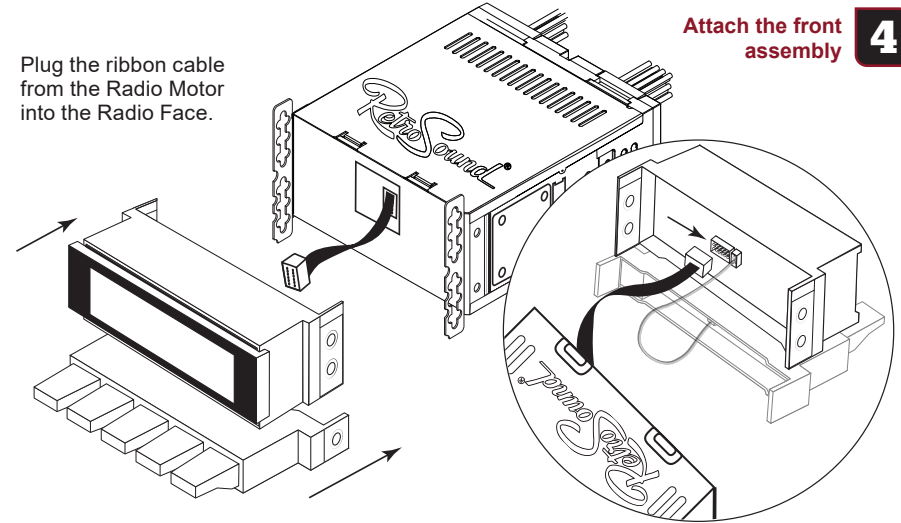
CAUTION: Do not attempt to break off the additional mounting tab by hand. The tab must be cut with tin snips. Bending the brackets by hand or with pliers will damage them.



Place the Control Face Brackets into the Radio Motor and secure them with the four mounting screws.

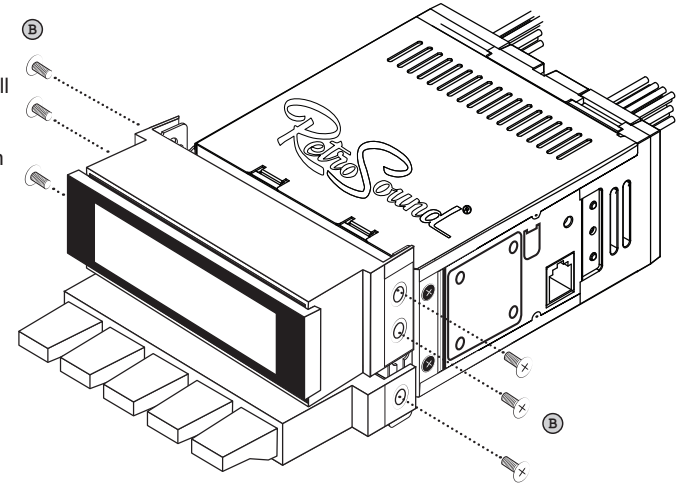
Attach the front assembly 4

Plug the ribbon cable from the Radio Motor into the Radio Face.



Secure the Radio Face and Push-Button assembly with the 4 small screws located in your Radio Face box and the 2 small screws located in your Push-Button box.

NOTE: The Control Face Brackets have multiple mounting holes so that the height of the Radio Face and the Push-Button assembly can be adjusted to suit your installation needs.



NEXT: Continue assembly using either the Quick Start Guide included in the Thumb-roller or Control Shaft box.

Refer to the user manual included in your motor box or on our website for more comprehensive instructions.